

# P/N 202194

## Lift Cylinder Switches

### Automated Equipment, LLC

5140 Moundview Drive  
 Red Wing, Minnesota 55066  
 Phone: 1-800-248-2724  
 1-651-385-2273  
 Fax: 1-651-385-2172

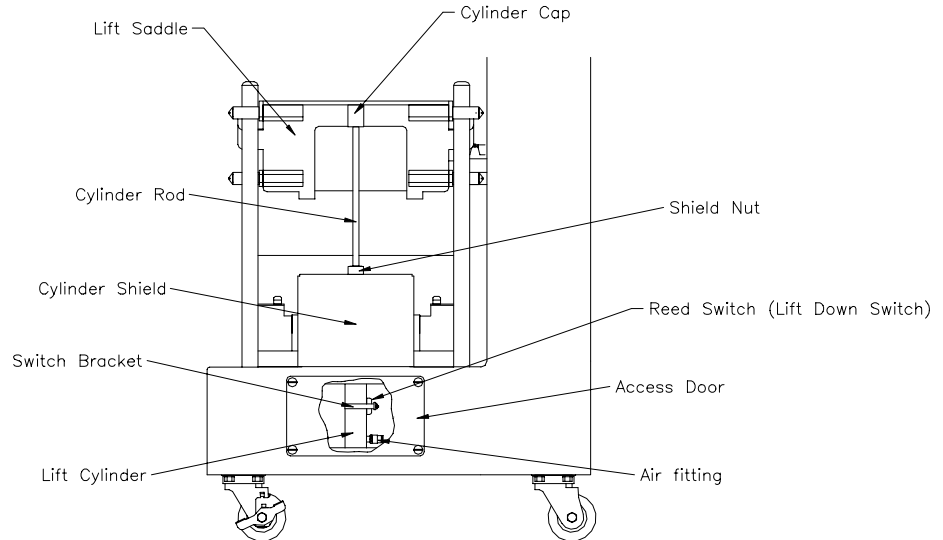
<http://www.sfsautomatedequipment.com>



### Lift Cylinder Switches p/n 202194

#### Removal installation

- Tools required:  
 Large adjustable wrench  
 9/32" wrench  
 5/64" allen wrench  
 Permanent ink marker



NOTE: The lower lift cylinder switch can be removed/installed from the lift cylinder access panel only on AFD-280 dispensers.

#### Lower lift switch:

Turn the power switch off and unplug from the wall outlet.

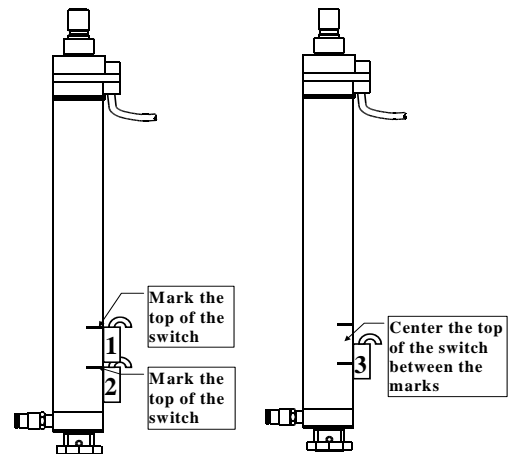
Remove the back panel.

Remove the access door on AFD-280 dispensers to access the lower lift switch. The lower lift switch can be accessed from the back of the dispenser on other models.

Verify the Lift Cylinder is fully retracted (down position).

Turn the Power On/Off switch ON.

From a location 3" up from the base of the Lift Cylinder, slowly slide the Lift Switch down until the Lift Switch LED illuminates (position #1). Mark this position at the top of the Lift Switch with the permanent marker.



Slide the Lift Switch down until the LED goes off, then slowly up until the LED illuminates again (position #2). Mark this position at the top of the Lift Switch with the permanent marker.

Move the Lift Switch to center the top of the switch between the marks (position #3) and lightly tighten the allen screw. Also tighten the allen screw locking nut.

Verify L5 on the controller board is illuminated with the lift down.

# P/N 202194 Lift Cylinder Switches

## Automated Equipment, LLC

5140 Moundview Drive  
Red Wing, Minnesota 55066

Phone: 1-800-248-2724

1-651-385-2273

Fax: 1-651-385-2172

<http://www.sfsautomatedequipment.com>



### Upper lift switch:

- Turn the power switch off and unplug from the wall outlet.
- Remove the back panel.
- Remove the lift saddle by lifting the back of the saddle up and over the guide posts.
- Remove the lift cylinder cap;  
AFD-280 dispensers the cap is threaded onto the cylinder rod.  
AFD-280U dispensers the cap is pushed onto the cylinder rod.
- Use the large crescent wrench to loosen and remove the shield nut.
- Remove the cylinder shield.
- Using the 9/32" wrench loosen the jam nut on the switch band.
- Loosen the holding screw with the 5/64" allen wrench to remove the band and switch.
- Route and connect the new wires the same as the original switch.
- Verify the Lift Cylinder is fully extended (up position). A second person can hold the Lift Cylinder rod up by hand while the switch is being adjusted.
- From a location 3" down from the top of the Lift Cylinder, slowly slide the Lift Switch up until the Lift Switch LED illuminates (position #4). Mark this position at the top of the Lift Switch with the permanent marker.
- Slide the Lift Switch up until the LED goes off, then slowly down until the LED illuminates again (position #5). Mark this position at the top of the Lift Switch with the permanent marker.
- Move the Lift Switch to center the top of the switch between the marks (position #6) and lightly tighten the allen screw. Also tighten the allen screw locking nut.
- Verify L4 on the controller board is illuminated with the lift up.

