

# P/N 202381 Power Switch

## Automated Equipment, LLC

5140 Moundview Drive  
Red Wing, Minnesota 55066  
Phone: 1-800-248-2724  
1-651-385-2273  
Fax: 1-651-385-2172  
<http://www.autoequipllc.com>



## Power Switch P/N 202381 Replacement

### AFD-280U, AFD-280E and GDF28

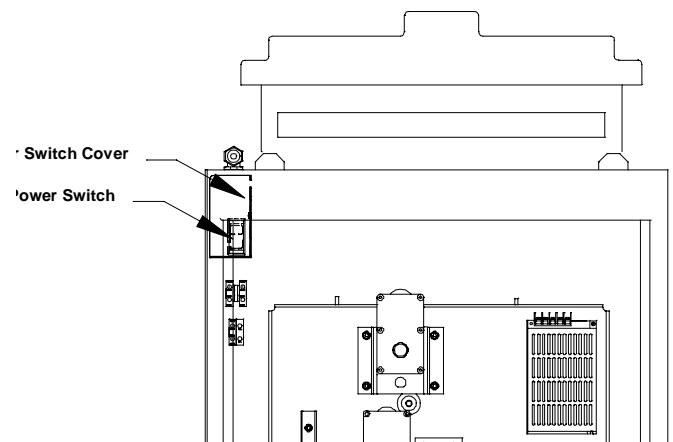
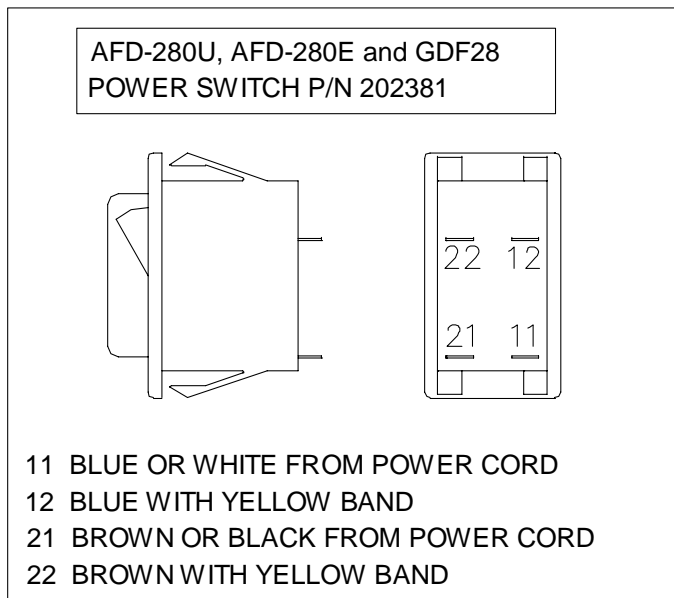
#### Tools Required

Phillips screwdriver  
5/32" allen wrench

1. Turn the power off and unplug the power cord.
2. Remove the back panel from the dispenser.
3. Remove the power switch cover and screw.
4. Disconnect the wiring to the Power Switch.
5. Depress the locking tabs at the top and bottom of the switch and remove the switch through the front of the cabinet.

**Note: The connections for the new power switch may not be the same as the old power switch. See Diagram.**

6. Install the replacement switch and reconnect the wiring.
7. Install the power switch cover and screw.
8. Install the back panel.
9. Plug the power cord in and turn the power on.
10. Verify the dispenser operates and place the unit back into service.



# P/N 202381 Power Switch

## Automated Equipment, LLC

5140 Moundview Drive  
Red Wing, Minnesota 55066  
Phone: 1-800-248-2724  
1-651-385-2273  
Fax: 1-651-385-2172  
http://www.autoequiplc.com

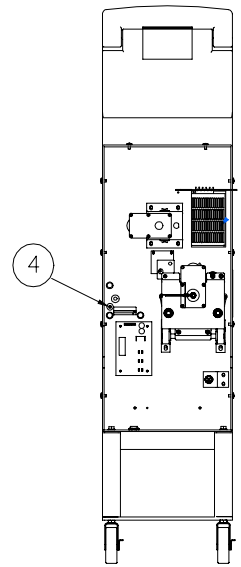
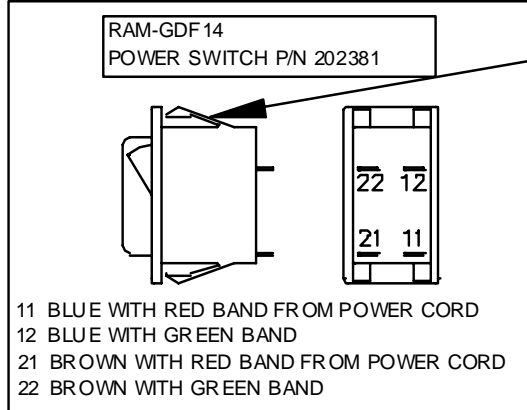


### RAM-GDF14

#### Tools Required

Flat blade screwdriver  
Phillips screwdriver  
7/64" allen wrench  
Side cutter  
Razor knife

1. Turn the power off and unplug the power cord.
2. Remove the ten back cover mounting screws.
3. Remove the back cover.
4. Remove the control panel overlay (item #1).
5. Remove the three control panel screws and springs (item #2).
6. Remove the control panel (item #3).  
Note: You may have to use a razor knife to score the silicone between the control panel (item #3) and control panel extrusion (item #7).
7. Remove the divider plate screw (item #4).
8. Pull the divider plate (item #5) forward.  
Note: The divider plate will not come all the way out with the power switch in place.
9. Cut the front two locking tabs (item #6) off the power switch.
10. Remove the power switch from the control panel extrusion (item #7).
11. Disconnect the wiring to the Power Switch.



**Note: The connections for the new power switch may not be the same as the old power switch. See Diagram.**

12. Connect the wires to the new power switch.
13. Verify the back of the divider plate (item #5) is in past the power switch hole (item #8).
14. Install the replacement switch.
15. Slide the divider plate (item #5) back in place.
16. Install the divider plate screw (item #4).
17. Install the control panel (item #3) with the three screws and springs (item #2).
18. Replace the control panel overlay (item #1).
19. Replace the back cover and the ten cover screws.
20. Plug the power cord in and turn the power on.
21. Verify the dispenser operates and place the unit back into service.

