

P/N 203276 DF22 Operator Panel

Automated Equipment, LLC

5140 Moundview Drive
Red Wing, Minnesota 55066
Phone: 1-800-248-2724
1-651-385-2273
Fax: 1-651-385-2172
http://www.autoequiplc.com



DF22 Operator Panel P/N 203276 Replacement

Tools required

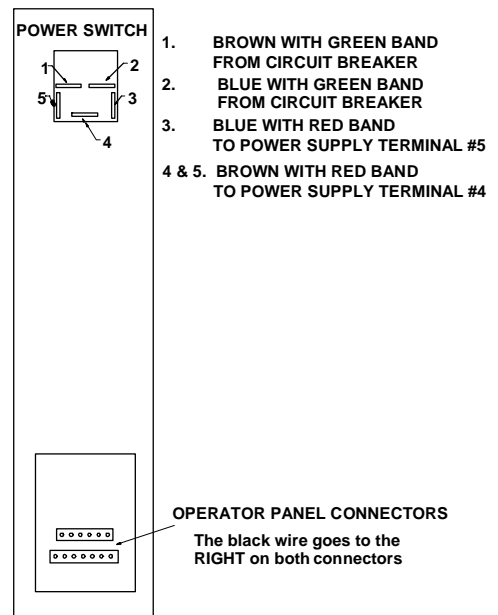
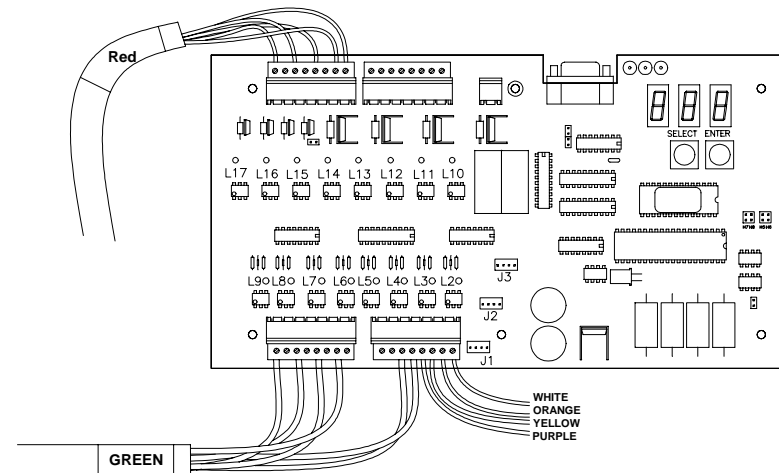
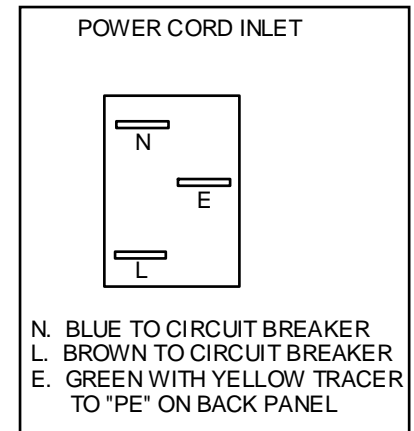
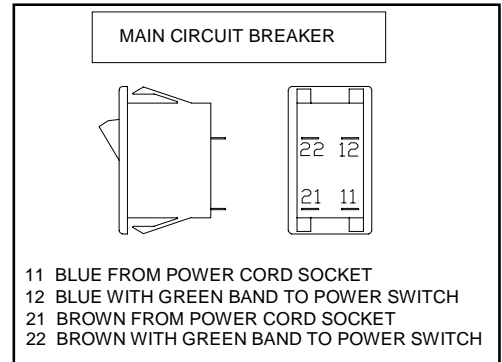
- Phillips screwdriver
- 5/32 allen wrench
- Small flat blade screwdriver
- 5/16" socket or nut driver

Removal

- Turn the power off and unplug from the wall outlet.
- Remove the back cover.
- Remove the switch cover. (see diagram on page 2)
- Remove the wiring from the switch panel and power switch.
- Remove the 5 nuts securing the operator panel to the backing plate.
- Push the operator panel out the front of the dispenser.
- Remove the power switch from the operator panel.

Installation

- Install the new operator panel from the front of the dispenser.
- Install and tighten the 5 nuts to secure the operator panel.
- Install the power switch in the new operator panel.
- Connect wiring. (see diagrams for correct locations)
- Replace the switch cover.
- Install the panel clips. (see page 2)



P/N 203276 DF22 Operator Panel

Automated Equipment, LLC

5140 Moundview Drive
Red Wing, Minnesota 55066
Phone: 1-800-248-2724
1-651-385-2273
Fax: 1-651-385-2172
<http://www.autoequiplc.com>



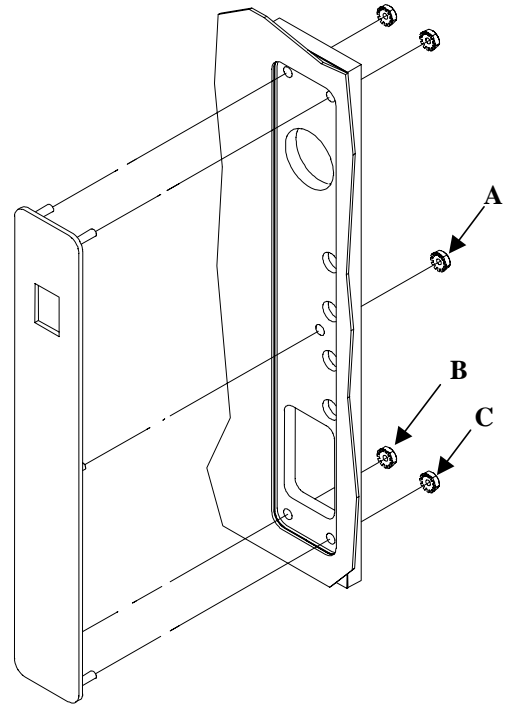
DF22 Operator Panel Clip P/N 290664 (center clip) and P/N 290772 (lower clip)

These clips were designed to help secure the operator panel in place.

To install the clip place the appropriate hole over the nut or nuts on the back of the operator panel. Then clip the other end into the opening of the framework side panel.

The center clip goes over nut "A" in the diagram. A hole in the center row should be used unless the opening in the framework side panel will not allow it.

The lower clip goes over nuts "B & C" in the diagram.



Note: The lower diagram shows a right hand dispenser. If your dispenser is left hand dispense the clips would go on the other side of the dispenser.

