

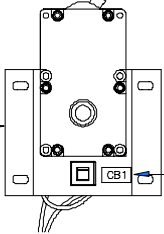
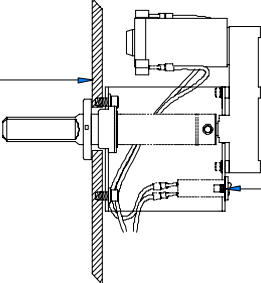
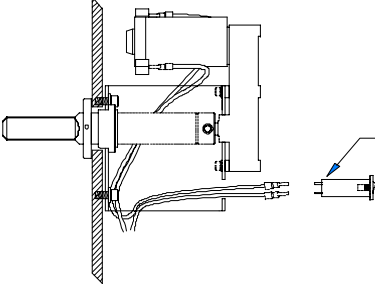
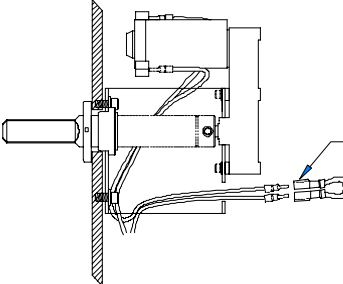
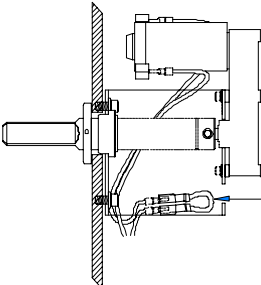
P/N 203445 Circuit Breaker Elimination Kit

Automated Equipment, LLC

5140 Moundview Drive
Red Wing, Minnesota 55066
Phone: 1-800-248-2724
1-651-385-2273
Fax: 1-651-385-2172
<http://www.autoequiplc.com>



AFD-280U Drum Motor Circuit Breaker Elimination Kit P/N 203445

- Rear View** 
- 1. Locate the Circuit Breaker CB1 on the Drum Motor Assembly**
- Side View** 
- 2. Depress the Circuit Breaker locking tabs and pull the circuit breaker from the chassis**
- 
- 3. Disconnect and DISCARD the Circuit Breaker**
- 
- 4. Install the jumper to the wiring terminals.**
- 
- 5. Place the wiring back into the chassis (away from the drum shaft), reassemble the dispenser and place the dispenser back into service.**