

# P/N 215606 Start/Reset Switch

## Automated Equipment, LLC

5140 Moundview Drive  
Red Wing, Minnesota 55066  
Phone: 1-800-248-2724  
1-651-385-2273  
Fax: 1-651-385-2172  
http://www.autoequiplc.com



### Start/Reset Switch P/N 215606 Replacement.

#### Tools required

Flat blade screwdriver  
Adjustable wrench

#### Removal

1. Turn the power off and unplug the power cord.
2. Remove the back panel from the dispenser.
3. Identify the wires for your dispenser.
4. Remove the mounting adaptor with contact block and light source unit from the back of the operator.
5. Remove the wires from the back of the contact block and light source unit.
6. Remove the mounting nut and operator.

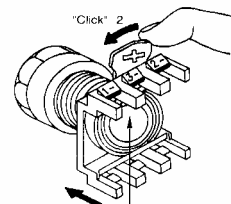
#### Installation

1. Install the operator from the front.
2. Install the anti-rotation ring (if used) and the mounting nut from the back and tighten.
3. Connect the wiring to the contact block and light source unit.
4. Install the mounting adaptor, contact block and light source unit to the operator.
5. Plug in and turn the power on.
6. Verify proper dispenser operation.

#### Assembly and disassembly instructions

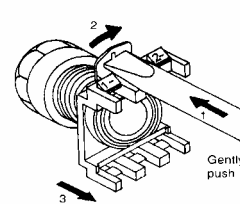
##### Mounting adaptor

##### Assembly



Embossed word "TOP" on back of operator

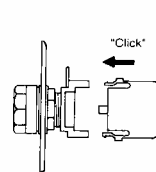
##### Disassembly



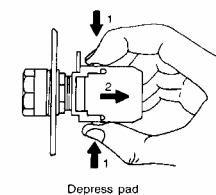
Note: Gently push locking lever and turn as shown over locking 'rib'

##### Contact blocks and full voltage light units

##### Assembly



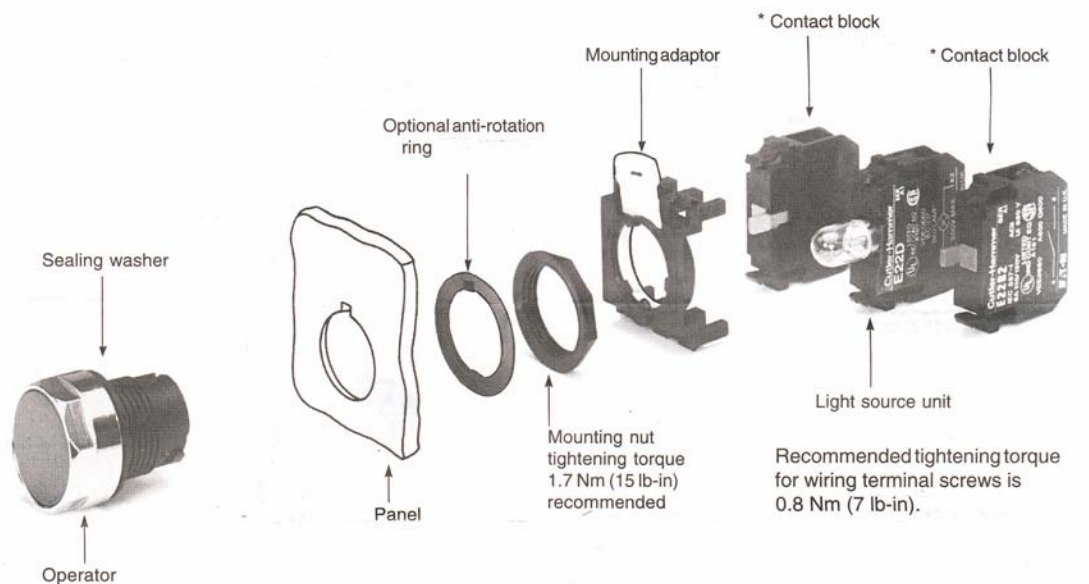
##### Disassembly



#### Lamp replacement

##### Rear of panel

Disconnect power.  
Remove light unit as shown opposite.  
Remove bayonet type lamp (push and turn counter-clockwise).  
Insert new lamp.  
Reassemble light unit to operator as shown opposite.



**P/N 215606**  
**Start/Reset**  
**Switch**

**Automated Equipment, LLC**  
 5140 Moundview Drive  
 Red Wing, Minnesota 55066  
 Phone: 1-800-248-2724  
 1-651-385-2273  
 Fax: 1-651-385-2172  
<http://www.autoequiplc.com>



*Note: This diagram is to show location of parts and does not show exact parts used for the restart switch.*

