

P/N 215607 Selector Switch

Automated Equipment, LLC

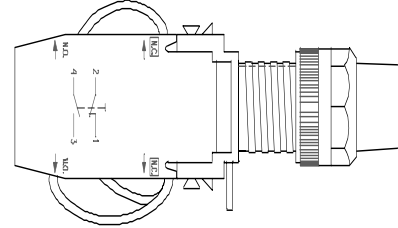
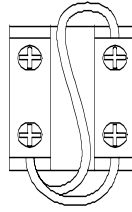
5140 Moundview Drive
Red Wing, Minnesota 55066
Phone: 1-800-248-2724
1-651-385-2273
Fax: 1-651-385-2172
<http://www.autoequipllc.com>



Selector Switch P/N 215607 Replacement

Tools required

- Flat blade screwdriver
- Adjustable wrench



Removal

1. Turn the power off and unplug the power cord.
2. Remove the back panel from the dispenser.
3. Identify the wires for your dispenser.
4. Remove the mounting adaptor with contact blocks from the back of the operator.
5. Remove the wires from the back of the contact blocks.
6. Remove the mounting nut and operator.

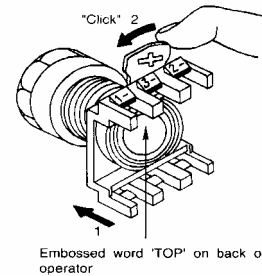
Installation

1. Install the operator from the front.
 2. Install the anti-rotation ring (if used) and the mounting nut from the back and tighten.
- Note: When looking from the back, the white locking tab should be to the right when the mounting adaptor is installed.**
3. Connect the wiring to the contact blocks.
 4. Install the mounting adaptor and contact blocks to the operator.
 5. Plug in and turn the power on.
 6. Verify proper dispenser operation.

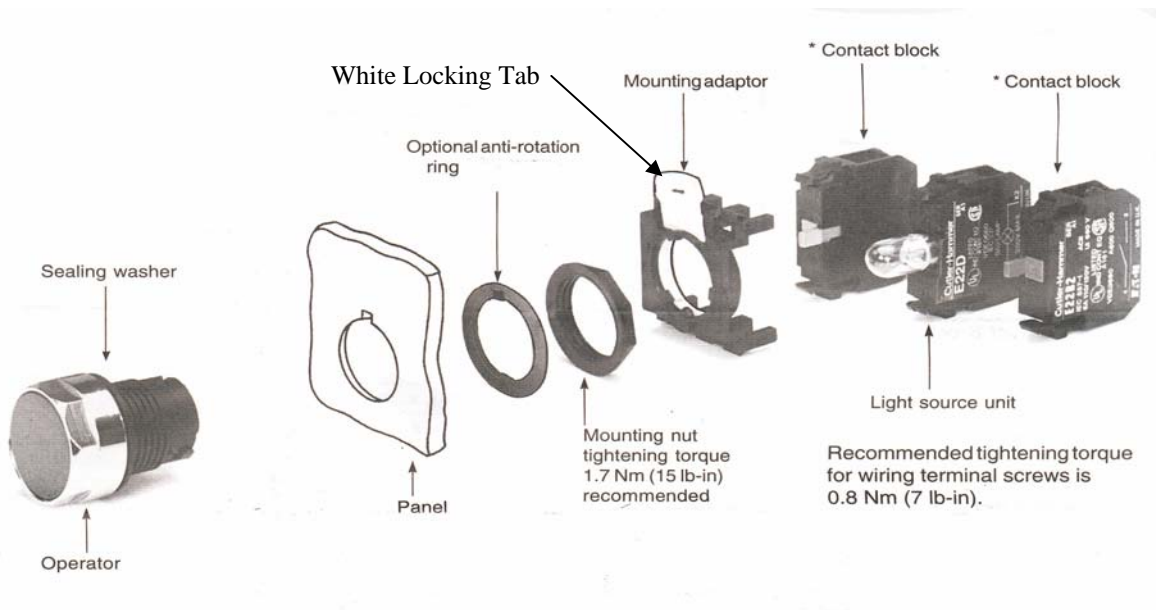
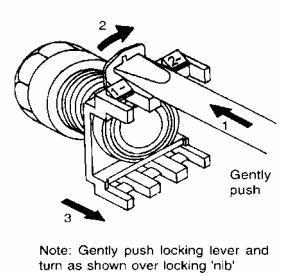
Assembly and disassembly instructions

Mounting adaptor

Assembly



Disassembly



Note: This diagram is to show the location of parts and does not show exact parts used for the selector switch.

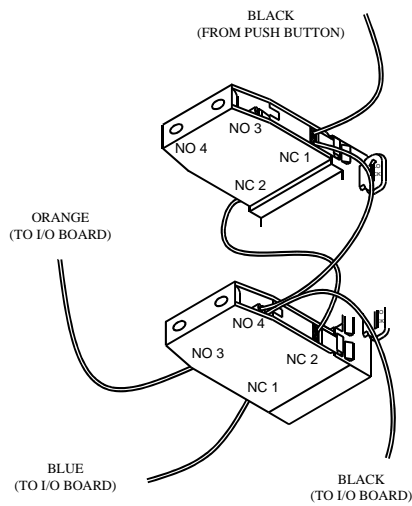
P/N 215607 Selector Switch

Automated Equipment, LLC

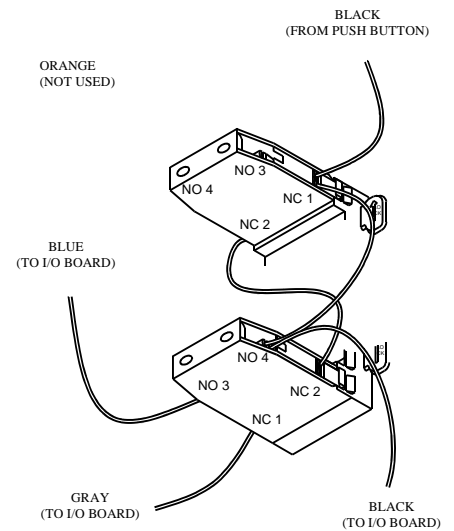
5140 Moundview Drive
Red Wing, Minnesota 55066
Phone: 1-800-248-2724
1-651-385-2273
Fax: 1-651-385-2172
<http://www.autoequipllc.com>



AFD-280 AND AFD-280U



AFD-200



AFD-280E AND GDF28

