

P/N 216044 Power Supply

Automated Equipment, LLC
5140 Moundview Drive
Red Wing, Minnesota 55066
Phone: 1-800-248-2724
1-651-385-2273
Fax: 1-651-385-2172
<http://www.autoequipllc.com>



Power Supply P/N 216044 Replacement and Adjustment

AFD-200 Procedure

Note: the replacement power supply may be larger than the original power supply.

Tools required

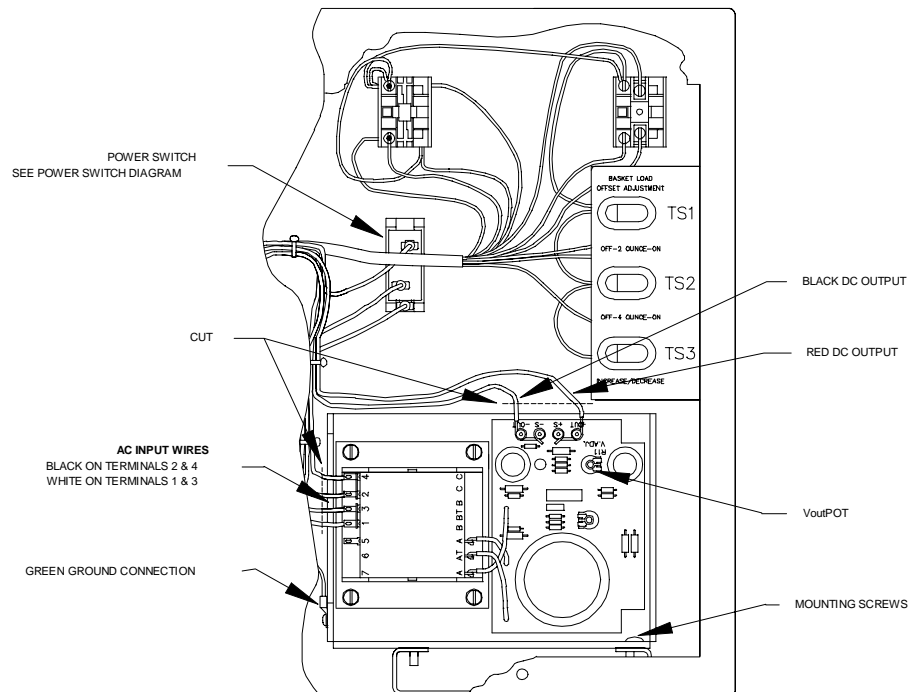
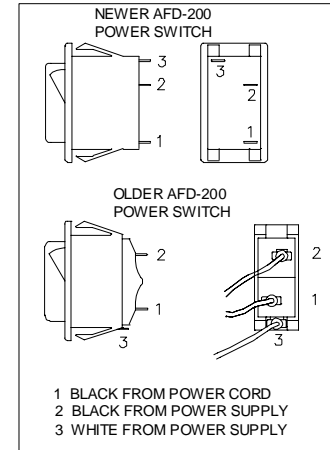
- Flat blade screwdriver
- Wire cutter/stripper
- 3/8" wrench

Removal

1. Turn the power off and unplug the power cord.
2. Remove the upper back panel from the dispenser.
3. Cut the *Black* and *White* AC input wires at the power supply.
4. Cut the *Red* and *Black* DC output wires at the power supply.
5. Remove the power cord *Green* ground wire from the power supply.
6. Remove the mounting screws from the power supply bracket and remove the power supply.
7. Remove from the power switch, the *black* and *white* wires cut from the power supply.

Installation

1. Install the power supply with two mounting screws at the right side of the bracket.
2. Connect the power cord *Green* ground wire with the screw and nut (by the green dot) on the left end of the power supply bracket.
3. Connect the *black* and *white* wires from the power supply to the power switch, see diagram for location.
4. Strip the end of the *white* wire from the power cord 1/4"
5. Connect the *white* wire from the power supply with to the *white* wire from the power cord with a wire nut.
6. Strip the *red* and *black* wires that were cut from the power supply 1/4".
7. Connect the *red* wire to the *red* wire from the power supply with a wire nut.
8. Connect the *black* wire to the *black* wire from the power supply with a wire nut.
9. Plug the power cord into the wall outlet and turn the power switch on.
10. Measure for 24.5vdc at the DC output of the power supply with a meter.
11. If the output voltage is not 24.5vdc adjust the Vout Pot for 24.5vdc.
12. Install the back panel and verify proper dispenser operation.



P/N 216044 Power Supply

Automated Equipment, LLC
5140 Moundview Drive
Red Wing, Minnesota 55066
Phone: 1-800-248-2724
1-651-385-2273
Fax: 1-651-385-2172
<http://www.autoequipllc.com>



Power Supply P/N 216044 Replacement and Adjustment

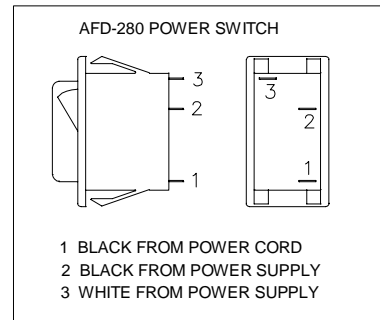
AFD-280 Procedure

Tools required

- 9/64" allen wrench
- Wire cutter/stripper

Removal

1. Turn the power off and unplug the power cord.
2. Remove the *Black* and *White* AC input wires at the power supply.
3. Cut the *Red* and *Black* DC output wires at the power supply.
4. Remove the four screws and remove the power supply.



Installation

1. Remove the *black* and *white* AC input wires from the new power supply and discard.
2. Install the power supply and tighten the mounting screws.
3. Connect the *black* and *white* AC input wires to the power supply.
4. Strip the *red* and *black* wires that were cut from the power supply 1/4".
5. Connect the *red* wire to the *red* wire from the power supply with a wire nut.
6. Connect the *black* wire to the *black* wire from the power supply with a wire nut.
7. Plug the power cord into the wall outlet and turn the power switch on.
8. Measure for 24.5vdc at the DC output of the power supply with a meter.
9. If the output voltage is not 24.5vdc adjust the Vout Pot for 24.5vdc.
10. Install the back panel and verify proper dispenser operation.

