

# P/N 290060 Bumper Kit

## Automated Equipment, LLC

5140 Moundview Drive  
Red Wing, Minnesota 55066  
Phone: 1-800-248-2724  
1-651-385-2273  
Fax: 1-651-385-2172  
<http://www.autoequipllc.com>



### AFD-280/200 Bumper Kit

#### Parts List:

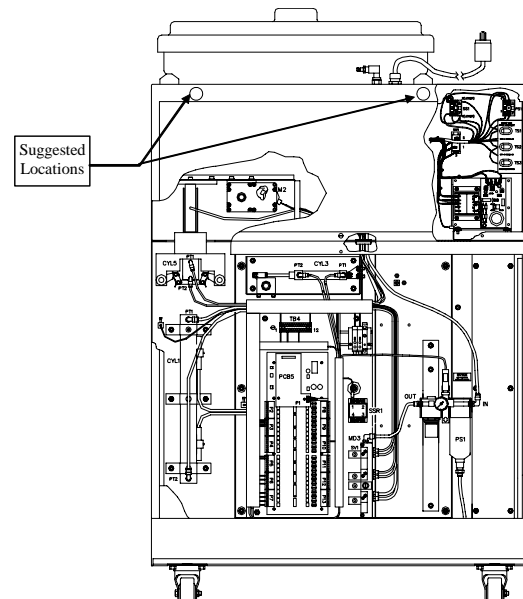
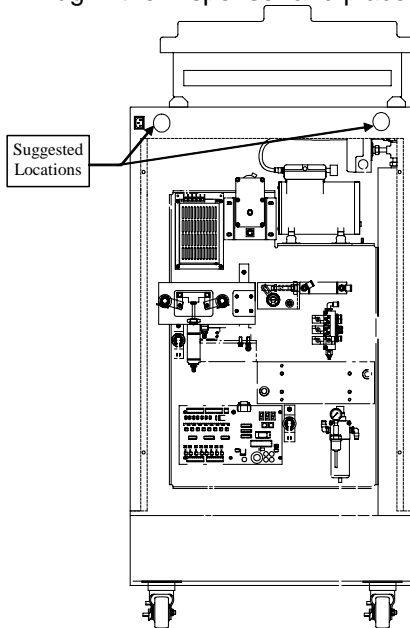
1. 2 ea., Threaded Rubber Bumper
2. 2 ea., Stand-Off, Wall Bumper Spacer
3. 2 ea., Hex Nut, 5/16"

#### Tools Required:

1. 1/8" Drill Bit
2. 5/16" Drill Bit
3. Electric Drill
4. Adjustable Crescent or Wrench

#### To install as a Wall Bumper:

1. Unplug the Fry Dispenser from the Wall Outlet.
2. Remove the Dispenser Back Panel.
3. Locate where the Bumper will be mounted.
  - **CAREFULLY** choose the hole location. (*see illustration below*)
  - Make sure the threads will NOT contact any of the internal wiring.
  - Make sure the location of the Bumper will NOT interfere with the Power Cord.
  - The Bumper location should not hang over the edges of the Dispenser when installed.
  - Drill a 1/8" pilot hole in the cabinet at the chosen location.
  - Drill the 5/16" mounting hole through the pilot hole.
4. Slide the Spacer over the Bumper threads.
5. Insert the threads into the drilled hole.
6. Install the 5/16" Nut and tighten.
7. Replace the Back Panel.
8. Plug in the Dispenser and place back in service.



# P/N 290060 Bumper Kit

## Automated Equipment, LLC

5140 Moundview Drive  
Red Wing, Minnesota 55066  
Phone: 1-800-248-2724  
1-651-385-2273  
Fax: 1-651-385-2172  
<http://www.autoequipllc.com>



To install as Side Bumper:

1. Unplug the Fry Dispenser from the Wall Outlet.
2. Remove the Dispenser Back Panel.
3. Locate where the Bumper will be mounted.
  - **CAREFULLY** choose the hole location. (*see illustration below*)
  - Make sure the threads will NOT contact any of the internal wiring.
  - Drill a 1/8" pilot hole in the cabinet at the chosen location.
  - Drill the 5/16" mounting hole through the pilot hole.
4. The Spacer may be used if desired.
5. Insert the threads into the drilled hole.
6. Install the 5/16" Nut and tighten.
7. Replace the Back Panel.
8. Plug in the Dispenser and place back in service.

