

P/N 290308

Power Cord Conversion Kit European

Automated Equipment, LLC

5140 Moundview Drive
Red Wing, Minnesota 55066
Phone: 1-800-248-2724
1-651-385-2273
Fax: 1-651-385-2172
<http://www.autoequipllc.com>



European Power Cord Conversion Kit P/N 290308

Parts:

- | | |
|---|--|
| 1. IEC Socket Inlet Cover. | p/n 290309 |
| 2. 2-Stainless Steel Screws. | p/n 213182 |
| 3. 2-Stainless Steel Nuts. | p/n 290310 |
| 4. 2-Washers, #8. | p/n 213526 |
| 5. Washer, 7/8 I.D. Nylon | p/n 202586 |
| 6. Power Cord Harness with Strain Relief. | p/n 202529 Domestic
p/n 202563 European
p/n 202566 Australian
p/n 290376 without plug |

Tools required

1. Center Punch.
2. Marking Pen.
3. Screwdriver.
4. Wrench, 5/16" - 8mm.
5. Hole Saw, 7/8" - 23mm. p/n 290314 (can be purchased separately)

Installation Procedure:

1. Turn the Dispenser Power OFF and unplug the cord from the wall outlet.
2. Remove the Power Cord from the Dispenser and discard.
Note: If you intend to use the existing plug, remove it from the old power cord and re-install it on the new power cord.
3. Remove the Dispenser Back Cover.
4. Remove the AC Cover from inside the Dispenser to reveal the Power Switch.
5. Cut the wiring at the Power Inlet and leave the wiring connected to the Power Switch and Chassis for future reference.
6. Remove the Power Inlet from the Dispenser chassis.
7. Position the Inlet Cover; affix the cover with the screws, washers and nuts provided.
Note: It is not necessary to drill any holes to mount this cover.
8. Mark the location for the new Power Cord to enter the Dispenser (see illustration #1).
9. Ensure that any wiring inside the chassis is clear of the drilling area.
10. Replace the AC Cover to catch any filings from the hole drilling process.
11. Center punch and drill the 7/8" mounting hole.
12. **Carefully remove the AC Cover and discard any filings within it. Check the rest of the Dispenser for any metal filings and discard them as well.**
13. Mount the Power Cord and Strain Relief (see illustration #2).
14. Connect the new Wiring Harness to the Power Switch and Chassis Ground Connection while observing the color coding of the old wiring left for reference. As you remove the old wiring connections, connect the new wiring according to the same color coding. Discard the old wiring.
15. Replace the AC Cover.
16. Replace the Back Cover of the Dispenser.
17. Connect the Dispenser to the wall outlet, turn on the Dispenser and verify proper operation.
18. Place the Dispenser back into service.

P/N 290308

**Power Cord Conversion
Kit**

European

Automated Equipment, LLC

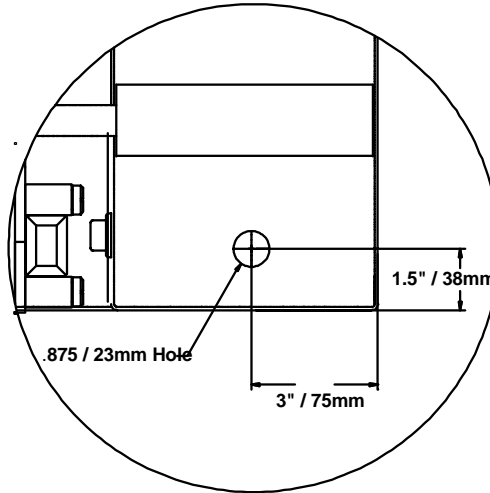
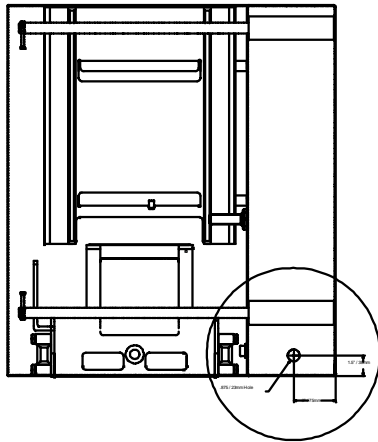
5140 Moundview Drive
Red Wing, Minnesota 55066

Phone: 1-800-248-2724

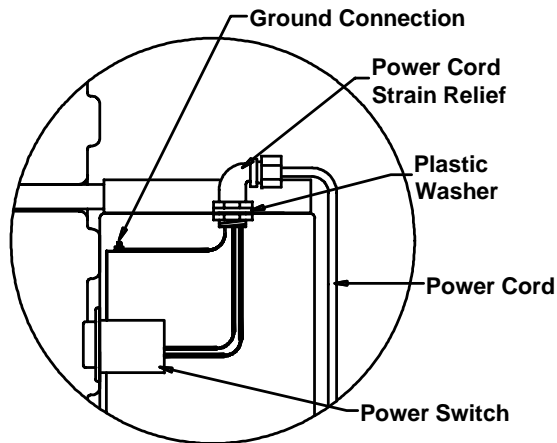
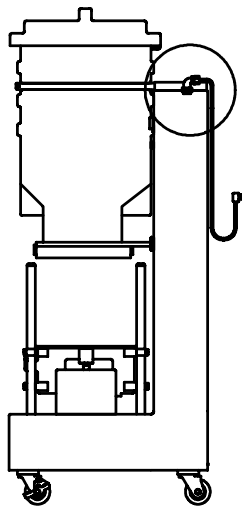
1-651-385-2273

Fax: 1-651-385-2172

<http://www.autoequipltc.com>



**Illustration #1
Dispenser Top View**



**Illustration #2
Side View**