

P/N 290641 Accumulator Motor

Automated Equipment, LLC

5140 Moundview Drive
Red Wing, Minnesota 55066
Phone: 1-800-248-2724
1-651-385-2273
Fax: 1-651-385-2172
<http://www.autoequiplc.com>



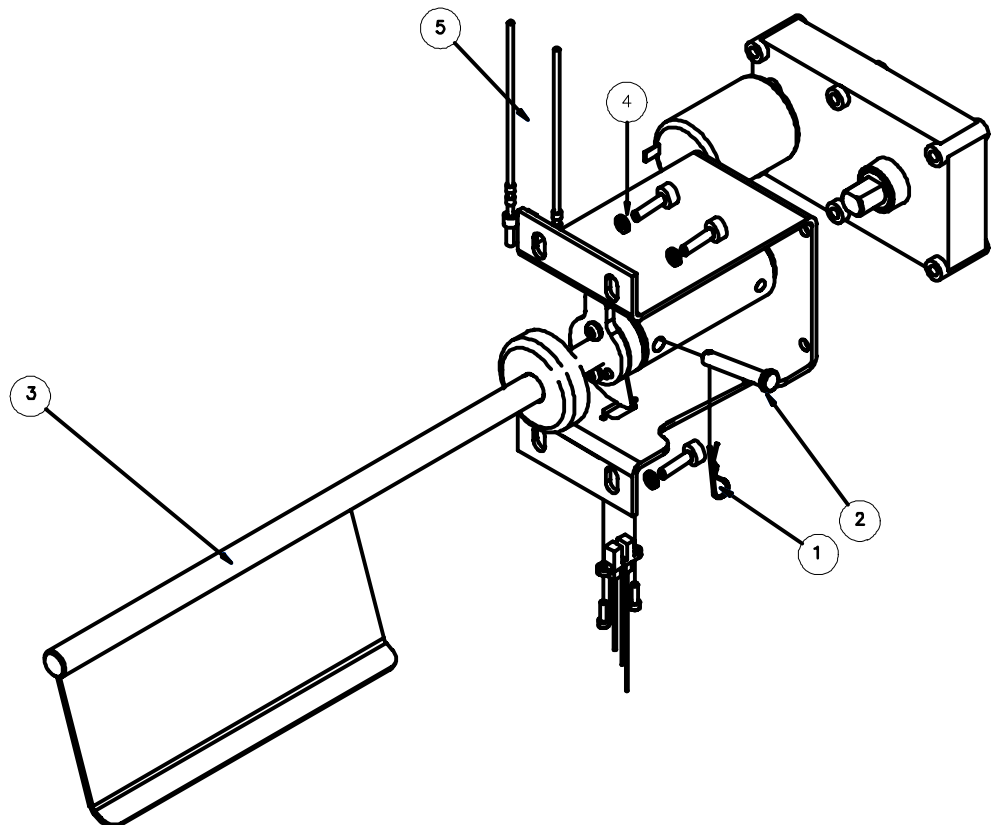
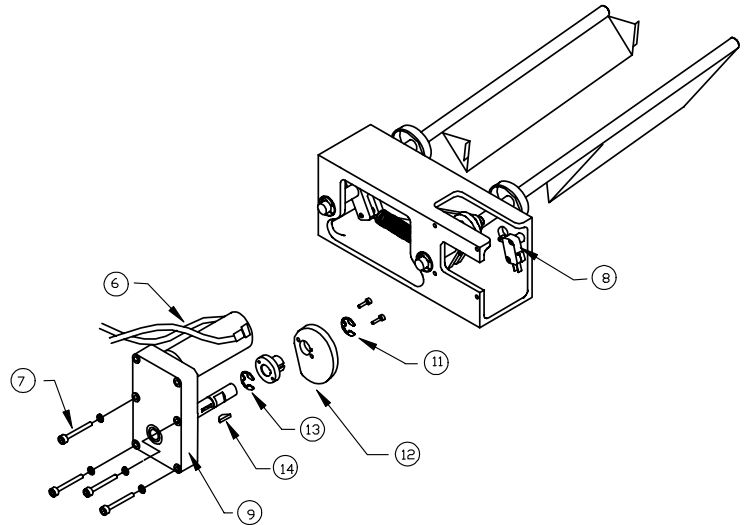
Accumulator Motor P/N 290641 Replacement

Tools Required

Phillips screwdriver
5/32" allen wrench
3/16" allen wrench

Removal

1. Turn the power off and unplug the power cord.
2. Remove the back panel from the dispenser.
DF22 & GDF22 dispensers skip to step #7.
AFD-280E & GDF28 dispensers continue with step #3.
3. Remove the hairpin clip (item #1) and the clevis pin (item #2) for the stopgate assembly.
4. Remove the stopgate (item #3) by pulling it from the front of the dispenser.
5. Remove the stopgate motor wires (items #5).
6. Remove the four stopgate assembly mounting bolts (item #4) and remove the stopgate assembly.
7. Remove the accumulator motor wires (item #6).
8. Remove the 4 accumulator motor mounting screws (item #7).
9. Being careful to not pull the roller off the home switch (item #8) remove the accumulator motor (item #9).
10. Remove the e-clip (item #11).
11. Remove the cam assembly (item #12).
12. Remove the e-clip (item #13)
13. Remove the woodruff key (item #14) from the accumulator motor shaft.



P/N 290641

Accumulator Motor

Automated Equipment, LLC

5140 Moundview Drive
Red Wing, Minnesota 55066
Phone: 1-800-248-2724
1-651-385-2273
Fax: 1-651-385-2172
<http://www.autoequiplc.com>



Installation

1. Install the e-clip (item #13) on the accumulator motor shaft.
2. Install the woodruff key (item #14) in the accumulator motor shaft.
3. Install the cam assembly (item #12) on the accumulator motor shaft.
4. Install the e-clip (item #11) on the accumulator motor shaft.
5. Being careful to not pull the roller off the home switch (item #8) install the accumulator motor (item #9).
6. Install the 4 accumulator motor mounting screws (item #7).
7. Connect the accumulator motor wires (item #6).
8. Install the stopgate assembly with the 4 mounting screws (item #4).
9. Connect the stopgate motor wires (items #5).
10. Install the stopgate (item #3) from the front of the dispenser.
11. Install the clevis pin (item #2) and the hairpin clip (item #1) for the stopgate assembly.
12. Replace the back panel and put the dispenser back in service.

