

P/N 291727

Sensor

GDF14 GDF14E

Automated Equipment, LLC

5140 Moundview Drive
 Red Wing, Minnesota 55066
 Phone: 1-800-248-2724
 1-651-385-2273
 Fax: 1-651-385-2172
<http://www.autoequiplc.com>

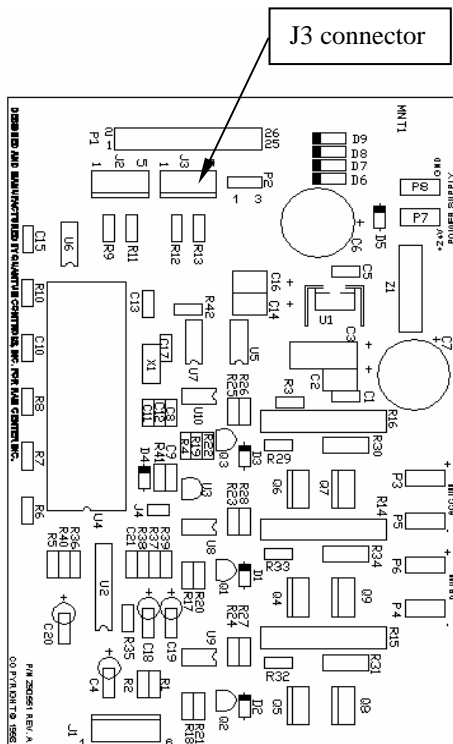
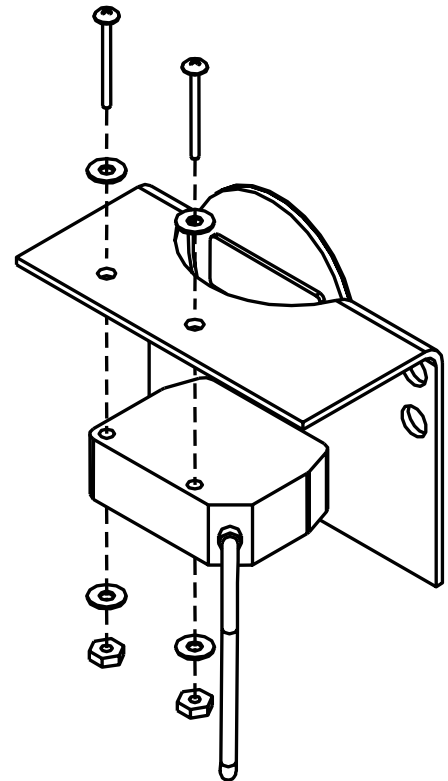


Sick brand sensor replacement #291727 for GDF14 and GDF14E.

Tools required:

large flat blade screw driver
 small phillips screw driver
 1/4" wrench

1. Turn the power switch off and unplug the power cord.
2. Remove optional side mount basket rack and rear cover.
3. Unplug sensor from control board and remove cable from behind control board and cable retainers.
4. Remove the sensor by removing the nuts, washers and screws securing the sensor to the bracket.
5. Install the new sensor using the nuts, washers and screws.
6. Route sensor cable and reconnect at controller board connector J3. Secure sensor cable with a cable tie at retaining block.



7. Turn dispenser on, verify "auto operation" mode on control panel display. Test sensor operation using the darkest basket available. The sensor should detect the darkest basket 5" to 6" from the sensor lens. Note: Replacement sensor is pre-adjusted. Adjust only if necessary.
8. Turn dispenser off.
9. Reassemble rear cover and optional side mount basket rack.
10. Turn dispenser on and verify overall operation.