

P/N 291740 Control Panel

Automated Equipment, LLC

5140 Moundview Drive
Red Wing, Minnesota 55066
Phone: 1-800-248-2724
1-651-385-2273
Fax: 1-651-385-2172
<http://www.autoequipllc.com>



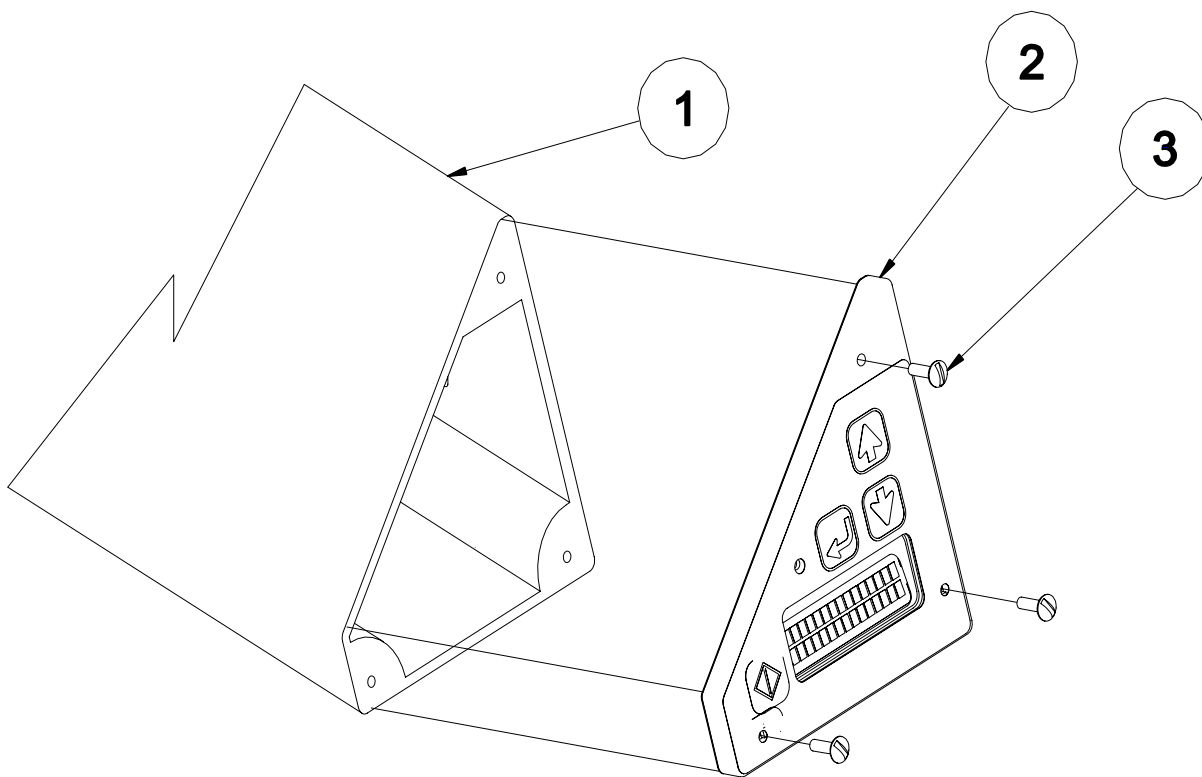
GDF14 and GDF14E Control Panel Replacement Procedure. P/N 291740

Tools required

Small flat blade screwdriver
Phillips screwdriver

Removal

1. Turn the power off and unplug the power cord.
2. Remove the three control panel screws (item #3).
3. Remove the control panel (item #2).
4. Unplug the control panel cable.



P/N 291740 Control Panel

Automated Equipment, LLC

5140 Moundview Drive
Red Wing, Minnesota 55066
Phone: 1-800-248-2724
1-651-385-2273
Fax: 1-651-385-2172
<http://www.autoequipllc.com>



Installation

1. Plug the cable into the control panel (item #4).

Note: the red wire goes to the top of the connector.

2. Attach the control panel (item #2) using the truss head screws (item #3).
3. Plug the power cord in and turn the power on.
4. Verify control panel operation.

