

# P/N 291762 Sensor Upgrade GDF14 GDF14E

## Automated Equipment, LLC

5140 Moundview Drive  
Red Wing, Minnesota 55066  
Phone: 1-800-248-2724  
1-651-385-2273  
Fax: 1-651-385-2172  
http://www.autoequiplc.com

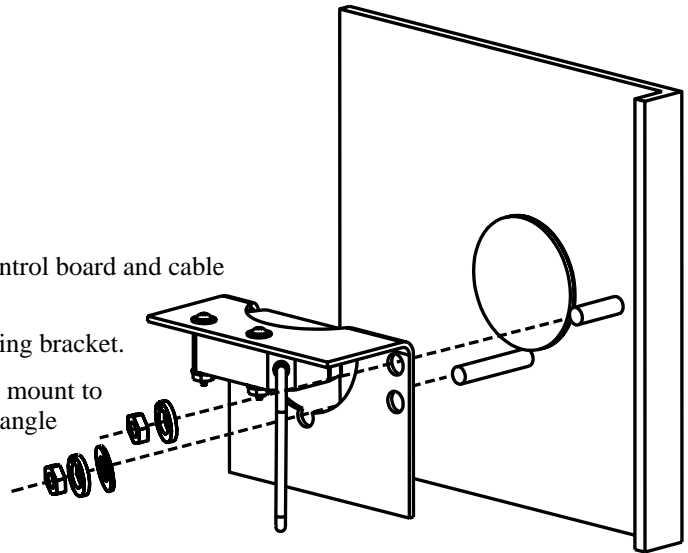


### Sick brand sensor upgrade kit #291762 for GDF14 and GDF14E.

#### Tools required:

large flat blade screw driver  
7/16" wrench  
hammer

1. Turn the power switch off and unplug the power cord.
2. Remove optional side mount basket rack and rear cover.
3. Unplug sensor from control board and remove cable from behind control board and cable retainers.
4. Remove 1/4 - 20 x 7/16" mounting nut w/washers from sensor mounting bracket.
5. Using hammer from the front of the dispenser, tap sensor with angle mount to break double back tape adhesion from cabinet. Remove sensor with angle mount.
6. Clean double back tape and silicone remnants from front and rear cabinet sensor opening.



7. Clean in and around the hole in the chassis where the window is to be installed with an isopropyl alcohol wipe.
8. Install sensor window from the rear of the cabinet using the attached double back tape.
9. Install Sick sensor with mounting bracket using 1/4 - 20 x 7/16" mounting nuts and washers.
10. Route sensor cable and reconnect at controller board connector J3. Secure sensor cable with a cable tie at retaining block.
11. Turn dispenser on, verify "auto operation" mode on control panel display. Test sensor operation using the darkest basket available. The sensor should detect the darkest basket 5" to 6" from the sensor lens. Note: Replacement sensor is pre-adjusted. Adjust only if necessary.
12. Turn dispenser off.
13. Reassemble rear cover and optional side mount basket rack.
14. Turn dispenser on and verify overall operation.

