

P/N 291857 Control Panel Kit

Automated Equipment, LLC

5140 Moundview Drive
Red Wing, Minnesota 55066
Phone: 1-800-248-2724
1-651-385-2273
Fax: 1-651-385-2172
<http://www.autoequiplc.com>

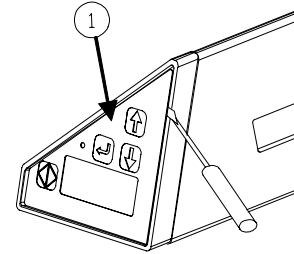


GDF14 and GDF14E Control Panel Kit Replacement Procedure. P/N 291857

Note: This is a replacement for P/N 290495.

Tools required

- 7/64" allen wrench
- Razor knife
- Small flat blade screwdriver
- Large flat blade screwdriver
- Phillips screwdriver

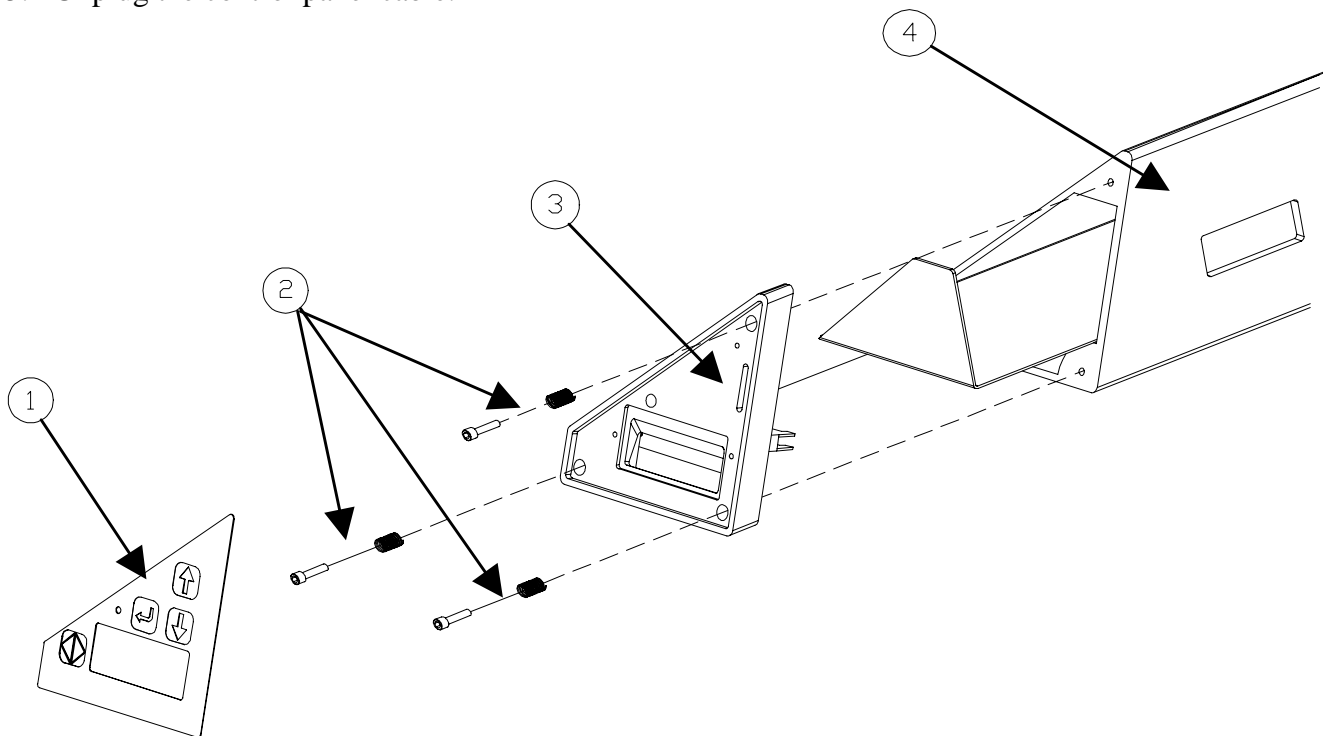


Removal

1. Turn the power off and unplug the power cord.
2. Remove the control panel overlay (item #1).
3. Remove the three control panel screws and springs (item #2).
4. Remove the control panel (item #3).

Note: You may have to use a razor knife to score the silicone between the control panel (item #3) and control panel extrusion (item #4).

5. Unplug the control panel cable.



P/N 291857 Control Panel Kit

Automated Equipment, LLC

5140 Moundview Drive
Red Wing, Minnesota 55066
Phone: 1-800-248-2724
1-651-385-2273
Fax: 1-651-385-2172
<http://www.autoequiplc.com>



Installation

1. Remove the ten back cover mounting screws.
2. Remove the back cover.
3. Cut the cable tie or release the clamp holding the control panel cable in place (item #6).
4. Pull 2 inches of the cable slack to the front of the control panel extrusion (item #1).
5. Place the extra cable back in the cable clamp.
6. Apply a small bead of silicone sealer on the control panel extrusion (item #1) mating surface.
7. Attach the adapter plate (item #2) using three **flat head screws** (item #3).
8. Plug the cable into the control panel (item #4).

Note: the red wire goes to the top of the connector.

9. Attach the control panel (item #4) using the **truss head screws** (item #5).
10. Plug the power cord in and turn the power on.
11. Verify control panel operation.
12. Turn the power off and unplug the power cord.
13. Install the back cover and ten cover mounting screws.

