

P/N 292473 Lift Drive Base Assembly

Automated Equipment, LLC

5140 Moundview Drive
Red Wing, Minnesota 55066
Phone: 1-800-248-2724
1-651-385-2273
Fax: 1-651-385-2172
<http://www.autoequipllc.com>



Lift Base Drive Assembly P/N 292473 (Replaces P/N 290610)

Tools Required

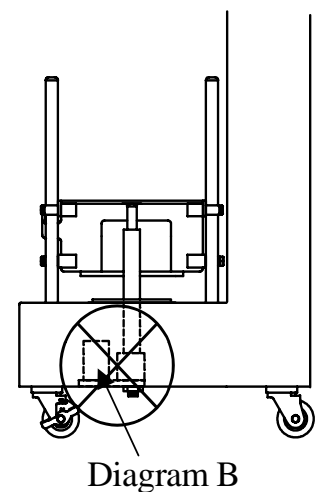
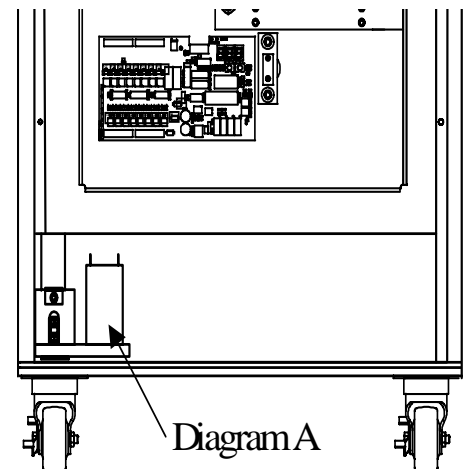
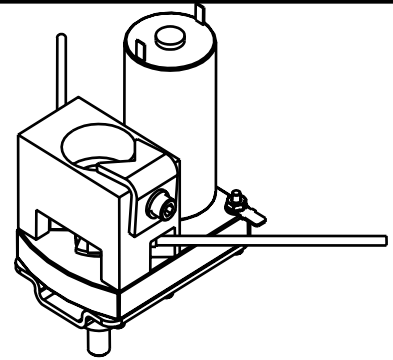
- Phillips screwdriver
- 3/16" Allen wrench
- 7/16" wrench or small adjustable wrench
- 9/16" wrench or small adjustable wrench

Removal

- Turn the power off and unplug the power cord.
- Remove the lift saddle from the front of the dispenser.
- Remove the back panel from the dispenser.
- Remove the lift lock bracket, screw and washer (Items 12, 13 & 14).
- Remove the lift tube (Item 19) by pulling it up and out from the front.
- Remove the flange nut (Item 18) from underneath the dispenser.
- Lift the drive assembly out the back of the dispenser with the wiring intact.
- Disconnect the motor wires and ground wire noting the location.
- Disconnect the encoder wiring from the controller board noting the cable band color and their location. *See part description, item 17.*
- Remove the lift cover (item 22) and clean any sealant or debris from the cover and machine.

Installation

- Connect the motor wires and ground wire. White wire to the + terminal.
- Install the lift drive base assembly and lift tube before installing the lift cover.
 - **Note: Remove packing from the lift drive assembly before installing and be sure the drive coupler (item 16) is aligned and pressed onto the motor shaft.**
 - **Note: The lift motor should be installed as shown in back view (diagram A) not as shown in the side view (diagram B). This will allow the lift tube and lift drive to align.**
 - **Note: To prevent damage when reinstalling the lift tube (Item 19), be sure the lift tube fork aligns with the drive coupler.**
- Connect the encoder cables to the controller board noting color codes; blue to J1 and green to J3.
- After the lift drive assembly and lift tube have been installed, slide the new lift cover gasket and lift cover over the lift tube and secure in place.
- Plug the power cord in and turn the power on.
- Cycle a few baskets to see if the lift height is correct.
- If the lift is too high select F30 and press the enter button, the lift height will be displayed. Pressing the enter button again will lower the lift one point (1/12", 2mm). Pressing the select button again will save the change. *The next time the lift returns to the up position it will be at the new setting.*
- If the lift is too low select F31 and press the enter button, the lift height will be displayed. Pressing the enter button again will raise the lift one point (1/12", 2mm). Pressing the select button again will save the change. *The next time the lift returns to the up position it will be at the new setting.*
- **WARNING: The maximum recommended lift height is 105. Exceeding this limit may result in damage to the controller PCB or lift motor.**



P/N 292473 Lift Drive Base Assembly

Automated Equipment, LLC

5140 Moundview Drive
Red Wing, Minnesota 55066
Phone: 1-800-248-2724
1-651-385-2273
Fax: 1-651-385-2172
<http://www.autoequiplc.com>



Item	Qty	Description	Part Number	
1	1	Lift Motor	290147	
2	1	Mounting Plate	290141	
3	1	Encoder Block (Black)	292155	
4	5	Screw #6-32UNC	290612	
5	5	Lock Washer #6	213528	
6	1	Ground Stud (Green Wire)	290423	
7	1	Nut #6-32UNC	202874	
8	1	Rubber Washer	290171	
9	1	Rubber Bushing	292197	
10	1	Encoder Vane	292157	
11	2	4-40 X 1/2 Screw	292165	
12	1	Lift Lock Bracket	290146	*
13	1	Screw 1/4-20UNC	213143	*
14	1	Lock Washer 1/4"	213142	*
15	1	.38 ID X .063 THK Nylon Washer	292158	
16	1	Drive Coupler	292156	
17	2	Inductive Encoders (J1 Blue) (J3 Green)	292560	
18	1	Flange Nut 3/8-16UNC	290394	*
19	1	Lift Tube (upgrade version)	292349	*
19	1	Lift Tube (old style)	290115	*
20	1	O-Ring	292463	
21	1	Lift Cover Gasket		
22	1	Lift Cover	290432	*
23	2	Nut 1/4-20UNC	213260	*
Not shown	2	Washer 1/4-20	213141	*

* Items not included in 292473

