

P/N 292546 Drum Motor Kit

Automated Equipment, LLC

5140 Moundview Drive
Red Wing, Minnesota 55066
Phone: 1-800-248-2724
1-651-385-2273
Fax: 1-651-385-2172
<http://www.autoequiplc.com>



Drum Motor Kit P/N 292546 Replacement

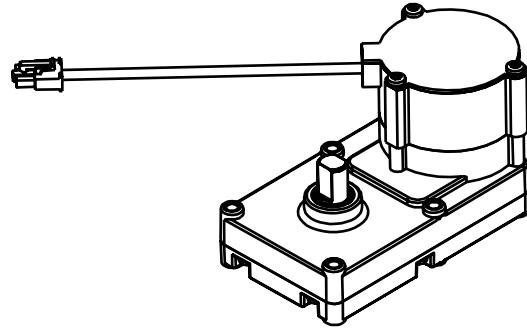
Kit includes:

- 1 drum motor
- 2 wiring harnesses
- 2 set screws

AFD-200 and AFD-280 Dispensers

Tools Required

- 9/64 inch allen wrench

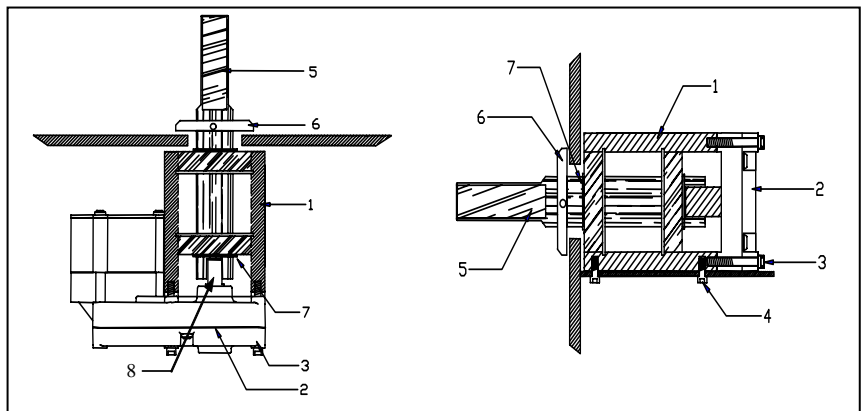


Removal

1. Turn the power off and unplug the power cord.
2. Remove the back panel from the dispenser.
3. Remove the 4 allen head cap screws at the back of the drum motor and remove the motor.
4. Remove the wires from the drum motor.

Installation

1. Connect the appropriate wiring harness to the drum motor (**see harness chart**).
2. Line up the drum motor shaft and drum shaft.
3. **On the 280 model only**, rotate the motor and gearbox 90 degrees clockwise from the original position. It must be mounted with the motor above the drum shaft bearing block.
4. Install the 4 allen head cap screws.
5. Connect the drum motor wiring harness to the dispenser wiring harness. **Black wire to black wire.**
6. Plug the power cord in and turn the power on.
7. Check drum rotation is correct.
8. Reinstall the back panel and put the dispenser back in operation.



ITEM	DESCRIPTION	DETAILS
1	Drum Motor Bearing Block	Bearing, Bearing Housing Assembly
2	Drum Motor / Gear Box Assembly	24 VDC Gearmotor
3	Allen Head Cap Screws, 8-32 X 1-1/4"	Secures Drum Motor to Bearing Block
4	Bolts, 1/4-20 X 1/2" Lock Washer 1/4"	Secures Bearing Block to Dispenser Chassis.
5	Drum Shaft	Turns the Drum in the Hopper.
6	Drum Motor Shaft Collar Shaft Collar Set Screw	Prevents contamination of Dispenser cabinet.
7	Retaining ring, E-clip	Secures Drum Shaft.
8	Drum Motor Shaft	Shaft from the Drum Motor Gear Box.

P/N 292546 Drum Motor Kit

Automated Equipment, LLC

5140 Moundview Drive
Red Wing, Minnesota 55066
Phone: 1-800-248-2724
1-651-385-2273
Fax: 1-651-385-2172
<http://www.autoequipllc.com>



AFD-280U, AFD-280E, GDF28, GDF14, GDF14E, DF22 and GDF22 Dispensers

Tools required

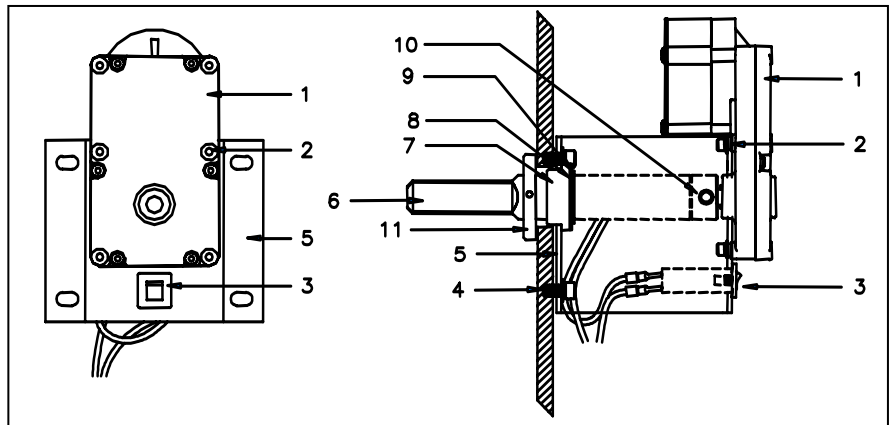
- 3/16 inch allen wrench
- 5/32 inch allen wrench
- Small flat blade screwdriver

Removal

1. Turn the power off and unplug the power cord.
2. Remove the back panel from the dispenser.
3. Remove the hopper from the front of the dispenser.
4. Remove the shaft collar from the drum shaft.
5. *Note: Some of the shaft collars are held in place with a small setscrew. Others are held in place with an O-ring and can be pulled off from the front.*
6. Remove the four screws holding the drum motor bracket.
7. Remove the wires from the drum motor.
8. Remove the wires from the circuit breaker if there is a circuit breaker.
Note: Some dispensers were built without a circuit breaker. Others have had the circuit breaker removed and a Circuit Breaker Elimination Kit installed.
9. Remove the drum shaft set screws and drum shaft from the drum motor.
10. Remove the 4 screws holding the drum motor to the drum motor bracket.

Installation

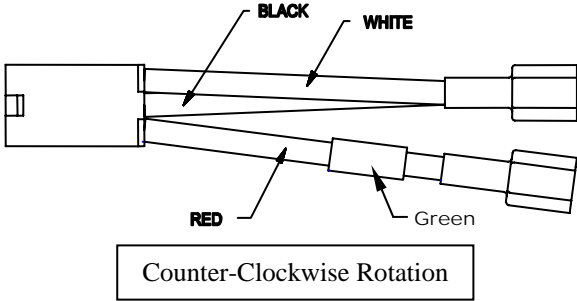
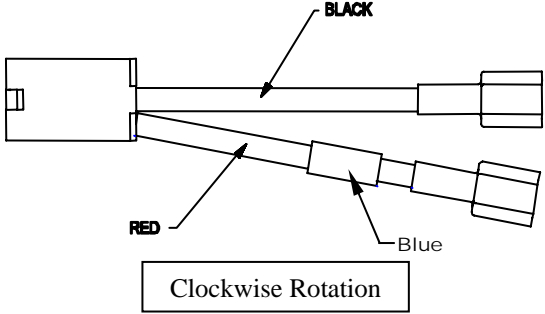
1. Connect the appropriate wiring harness to the drum motor (**see harness chart**).
2. Mount the drum motor to the drum motor bracket with the 4 screws.
3. Mount the drum shaft to the drum motor shaft with the two new setscrews and Loctite.
4. Connect the wires to the drum motor harness, **black wire to black wire**, and circuit breaker (if used).
5. Mount the drum motor bracket with the 4 screws.
6. Install the shaft collar and tighten the setscrew if used.
7. Install the hopper.
8. Plug the power cord in and turn the power on.
9. Check drum rotation is correct.
10. Reinstall the back panel and put the dispenser back in operation.



ITEM	DESCRIPTION	DETAILS
1	Drum Motor / Gear Box Assembly	24 VDC Drive Motor for the Drum Shaft
2	Bolt, 10-32 X 1 1/4" Lock Washer, #10	Secures Drum Motor to Chassis Secures Drum Motor to Chassis
3	Circuit Breaker Elimination Kit	Removes circuit breaker from circuit.
4	Bolt, 1/4-20 X 1/2" Lock Washer, 1/4" Flat Washer, 1/4"	Secures Drum Motor Chassis to Back Panel Secures Drum Motor Chassis to Back Panel Secures Drum Motor Chassis to Back Panel
5	Drum Motor Mounting Chassis	Assembly Chassis
6	Drum Shaft	Turns the Drum in the Hopper
7	Flange Bearing	Bearing for the Drum Shaft
8	Washer	Washer / Spacer
9	Retaining Ring	Secures the Flange Bearing
10	Set Screw, 3/8-24 X 3/16" Applied Loctite, thread locking compound	Secures the Drum Shaft to the Motor Shaft Secures the Set Screws
11	Drum Motor Shaft Collar Shaft Collar Set Screw	Protects inner Dispenser cabinet from contamination. Secures the Shaft Collar to the shaft.

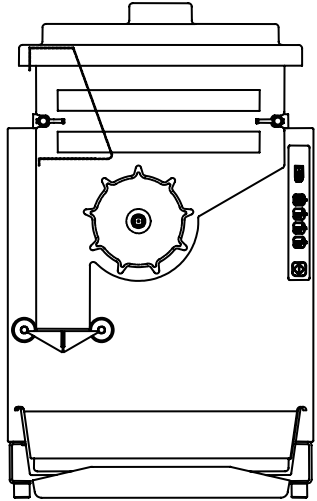
P/N 292546 Drum Motor Kit

Automated Equipment, LLC
 5140 Moundview Drive
 Red Wing, Minnesota 55066
 Phone: 1-800-248-2724
 1-651-385-2273
 Fax: 1-651-385-2172
<http://www.autoequiplc.com>

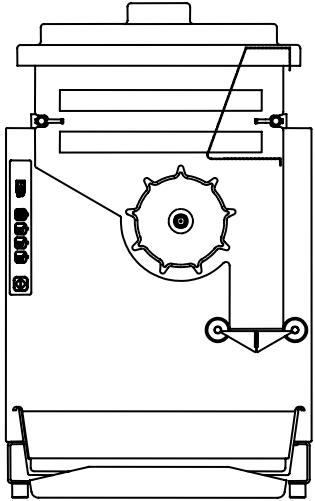


Connect Black wire to Black wire.

Drum Motor Harness Chart			
Dispenser Model	Drum Motor Harness Needed	Drum Rotation	Colored Band
AFD-200	Red Black	Clockwise	Blue
AFD-280/U/E	Red Black	Clockwise	Blue
GDF28	Red Black	Clockwise	Blue
DF22 right dispense	Red Black	Clockwise	Blue
DF22 left dispense	Red Black White	Counter-Clockwise	Green
GDF22 right dispense	Red Black	Clockwise	Blue
GDF22 left dispense	Red Black White	Counter-Clockwise	Green
GDF14	Red Black White	Counter-Clockwise	Green
GDF14E	Red Black White	Counter-Clockwise	Green



Left Hand Dispense
DF22 and GDF22



Right Hand Dispense
DF22 and GDF22