

**Bulletin #5**

**Automated Equipment, LLC**

5140 Moundview Drive  
Red Wing, Minnesota 55066  
Phone: 1-800-248-2724  
1-651-385-2273  
Fax: 1-651-385-2172  
<http://www.autoequipllc.com>



**Power Cord Conversion Kit**

**Issue:**

As a result of the few reported occurrences of damage to the cords of the AFD-280U, Automated Equipment, LLC has undertaken significant efforts to determine the cause and a reasonable repair option. After several use-simulation scenarios, Automated Equipment, LLC was unable to duplicate the type and extent of the reported damage. Consequently, Automated Equipment, LLC believes that the sustained damage can only result from severe and improper handling. To assist those restaurants which have suffered damage to the unit cords as result of the improper handling, Automated Equipment, LLC is now offering a Heavy Duty Power Cord kit that is believed to be the optimal solution for repairing existing, and preventing future, damage.

A back-mounted, hard-wired connection (using the existing plug hole) was given a great deal of consideration, but a top-mounted configuration was determined to be superior because of:

1. Possible damage resulting from contact with the restaurant wall.
2. The awkward fit of the new components in the existing square hole, and
3. The potentially damaging angle of the cord.

The recommended solution is to duplicate the top-mounted, hard-wired connection that is used on our factory assembly line. This field action would require the drilling a hole in the top of the dispenser, wiring the new cord, tightening the new connection fitting, and covering the existing connection hole with a new metal plate, as the instructions outline in the following pages.

## Bulletin #5

### Automated Equipment, LLC

5140 Moundview Drive  
 Red Wing, Minnesota 55066  
 Phone: 1-800-248-2724  
 1-651-385-2273  
 Fax: 1-651-385-2172  
<http://www.autoequipllc.com>



## Power Cord Conversion Kit

### Kit, Power Cord Harness with Strain Relief

P/N 290311 (w/cord P/N 202172) US/Canada  
 P/N 290308 (w/cord P/N 202790) European  
 P/N 290312 (w/cord P/N 202354) Australian  
 P/N 290376 without plug - Universal

### All Kits include these Parts:

1. IEC Socket Inlet Cover P/N 290309
2. 2-Stainless Steel Screws P/N 213182
3. 2-Stainless Steel Nuts P/N 290310
4. 2-Washers, #8 P/N 213526

### Tools required

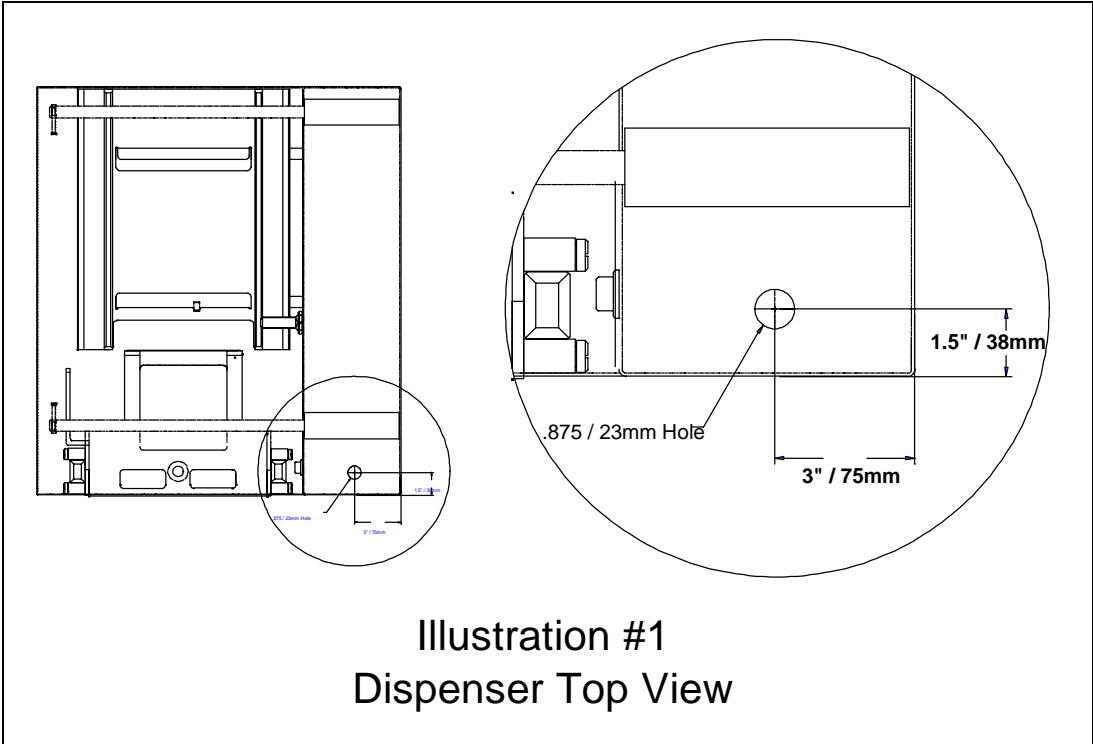
- Center Punch
- Marking Pen
- Screwdriver
- Wrench, 5/16" - 8mm
- Hole Saw, 7/8" - 23mm P/N 290314 (can be purchased separately)

### Installation Procedure:

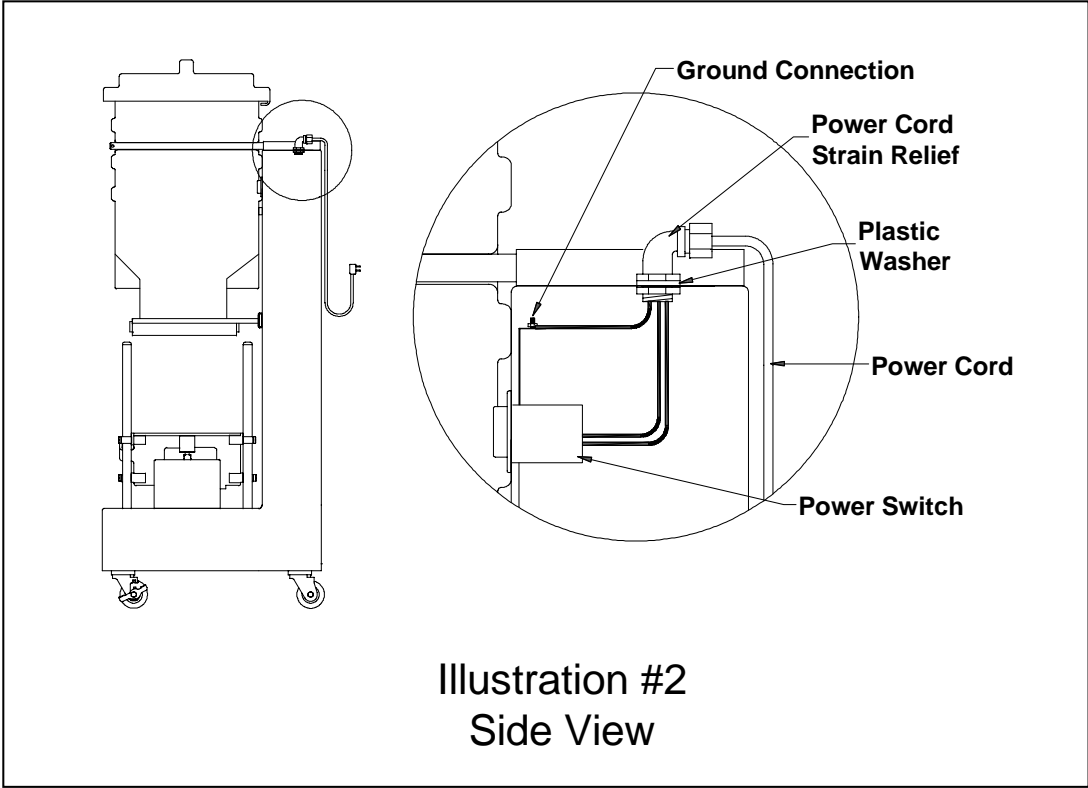
1. Turn the Dispenser Power OFF and unplug the cord from the wall outlet.
2. Remove the Power Cord from the Dispenser and discard.  
*Note: If you intend to use the existing plug, remove it from the old power cord and re-install it on the new power cord.*
3. Remove the Dispenser Back Cover.
4. Remove the AC Cover from inside the Dispenser to reveal the Power Switch.
5. Cut the wiring at the Power Inlet and leave the wiring connected to the Power Switch and Chassis for future reference.
6. Remove the Power Inlet from the Dispenser chassis.
7. Position the Inlet Cover; affix the cover with the screws, washers and nuts provided.  
*Note: It is not necessary to drill any holes to mount this cover.*
8. Mark the location for the new Power Cord to enter the Dispenser (see illustration #1).
9. Ensure that any wiring inside the chassis is clear of the drilling area.
10. Replace the AC Cover to catch any filings from the hole drilling process.
11. Center punch and drill the 7/8" mounting hole.
12. **Carefully remove the AC Cover and discard any filings within it. Check the rest of the Dispenser for any metal filings and discard them as well.**
13. Mount the Power Cord and Strain Relief (see illustration #2).
14. Connect the new Wiring Harness to the Power Switch and Chassis Ground Connection while observing the color coding of the old wiring left for reference. As you remove the old wiring connections, connect the new wiring according to the same color coding. Discard the old wiring.
15. Replace the AC Cover.
16. Replace the Back Cover of the Dispenser.
17. Connect the Dispenser to the wall outlet, turn on the Dispenser and verify proper operation. Place the Dispenser back into service.

**Bulletin #5**

**Automated Equipment, LLC**  
5140 Moundview Drive  
Red Wing, Minnesota 55066  
Phone: 1-800-248-2724  
1-651-385-2273  
Fax: 1-651-385-2172  
<http://www.autoequipllc.com>



**Illustration #1**  
**Dispenser Top View**



**Illustration #2**  
**Side View**