

Bulletin #9

Automated Equipment, LLC

5140 Moundview Drive
 Red Wing, Minnesota 55066
 Phone: 1-800-248-2724
 1-651-385-2273
 Fax: 1-651-385-2172
<http://www.autoequipllc.com>



DF22 Operator Panel Clip P/N 290664 (center clip) and P/N 290772 (lower clip)

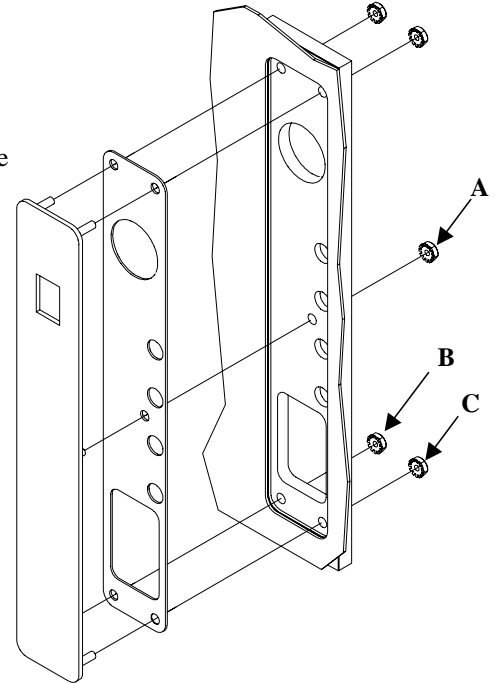
Issue:

These clips were designed to help secure the operator panel in place.

To install the clip place the appropriate hole over the nut or nuts on the back of the operator panel. Then clip the other end into the opening of the framework side panel.

The center clip goes over nut "A" in the diagram. A hole in the center row should be used unless the opening in the framework side panel will not allow it.

The lower clip goes over nuts "B & C" in the diagram.



Note: The lower diagram shows a right hand dispenser. If your dispenser is left hand dispense the clips would go on the other side of the dispenser.

